



Ventilation

Airwell

JDAA AIRFLOW

Thermodynamic dual-flow CMV

HYBRID
HOUSE by Airwell



Remote control included

+ PRODUCT

- Remote control included
- Excellent COP
- No refrigerant handling
- Operates using 100% fresh air
- Compact unit

FEATURES



PROGRAMMABLE
TIMER



WEEKLY TIMER



REMOTE CONTROL
LOCK



UNIT ON/OFF OUTPUT

+ «SUSTAINABLE DEVELOPMENT»

- > High-performance product with COP > 7.

+ «USER»

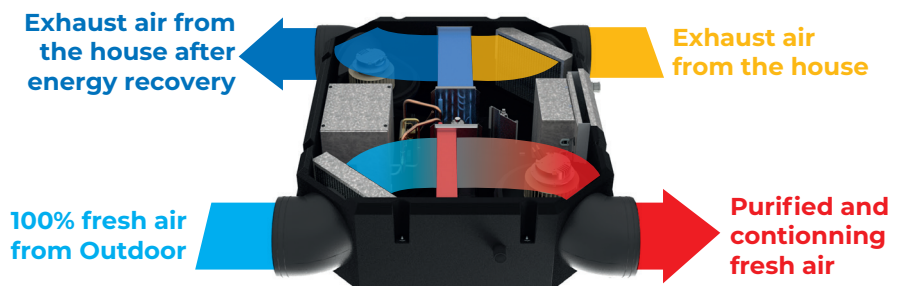
- > Allows you to renew the air in the home by heating or cooling fresh air, thanks to a thermodynamic system.
- > Operates using 100% filtered fresh air.

+ «INSTALLER»

- > Simple to install, thanks to its Monoblock system.
- > This unit is suitable for any type of home.

+ «TECHNOLOGY»

- > Monoblock system.
- > Inverter technology.



MODEL		JDAA-022R-09M25					
Part number		7MB110001					
Phase		Single-phase					
Airflow	m³/h	125	150	210	270	320	

HEATING MODE

Outdoor air +7°C Air supply 20°C	Heating capacity	kW	1.42	1.55	1.86	2.05	2.49
	Power input	kW	0.46	0.42	0.45	0.42	0.54
	COP		3.09	3.69	4.13	4.93	4.61
Outdoor air -5°C Air supply 20°C	Heating capacity	kW	1.97	2.10	2.21	2.37	2.45
	Power input	kW	0.40	0.52	0.47	0.37	0.32
	COP		4.93	4.04	4.70	6.50	7.66

COOLING MODE

Outdoor air 35°C Air supply 27°C	Cooling capacity	kW	1.57	1.64	1.73	1.92	2.07
	Power input	kW	0.36	0.52	0.53	0.55	0.81
	EER		4.34	3.15	3.26	3.50	2.56
Outdoor air 30°C Air supply 27°C	Cooling capacity	kW	0.92	1.38	1.47	1.72	2.07
	Power input	kW	0.36	0.52	0.48	0.54	0.81
	EER		2.56	2.65	3.06	3.21	2.77

PERFORMANCE

Static pressure	Rated	Pa	50	50	50	50	50
	Max.	Pa	120	120	120	120	120
Sound power level		dB(A)	47	48	50	54	58
Sound pressure level (l)		dB(A)	34	35	37	41	45

OPERATING LIMITS

Outdoor temperature	Cooling	°C	16/45				
	Heating	°C	-15/28				

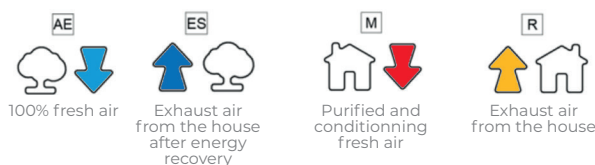
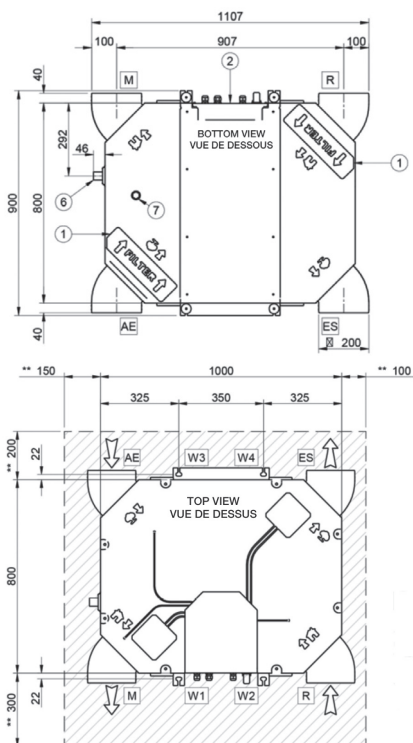
POWER SUPPLY

Phase/Voltage/Frequency		1P/230V/50Hz
Max. current	A	5

INSTALLATION & OTHERS

Refrigerant/GWP		R32/675
Charge	kg	0.30
Unit dimensions (WxHxD)	mm	1107x290x900
Package dimensions (WxHxD)	mm	1200x320x100
Net weight/Gross weight	kg	44/73

(l) The sound levels refer to the unit at full load, under nominal test conditions.



N°	DESCRIPTION
1	• Removable frame for the air filter bottom
2	• Electrical panel
3	• Power input
4	• Keyboard connection
5	• Auxiliary connection
6	• Condensate drain connection
7	• Emergency drain
W	• Mounting brackets
AE	• Fresh air intake
ES	• Air exhaust
M	• Conditioned fresh air
R	• Exhaust air discharge

